

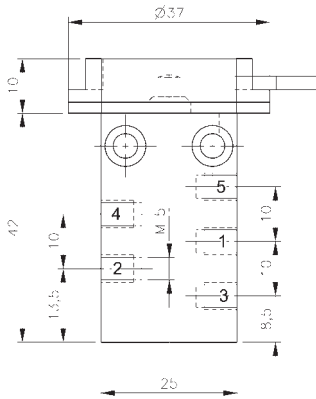
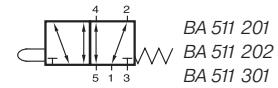


Valves for Panel Mounting

Selected models are available for explosion hazardous environment. They are ATEX-Ex certified. For detailed information refer to chapter 2.12.



Selected models are available for low temperature application. Temperature-range: - 50° C to + 50° C. For detailed information refer to chapter 2.9.



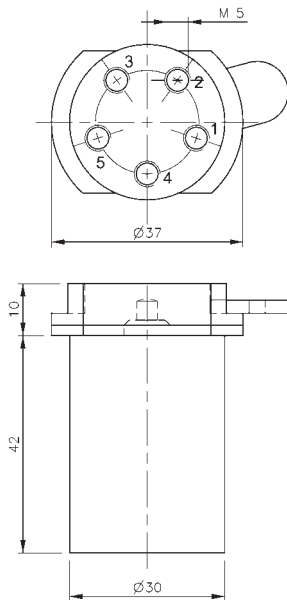
BA 511 201

5/2-way spool valve with mechanical spring for panel mounting.

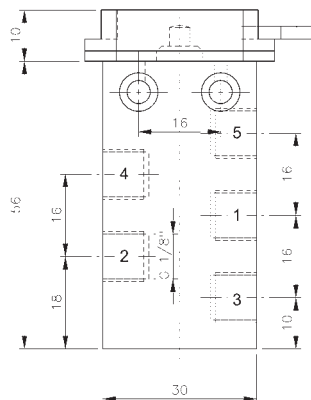
Actuating elements are displayed on page 2.2.3.

Exhaust can be throttled.

Selected valves can be used for technical vacuum too.



BA 511 202



BA 511 301

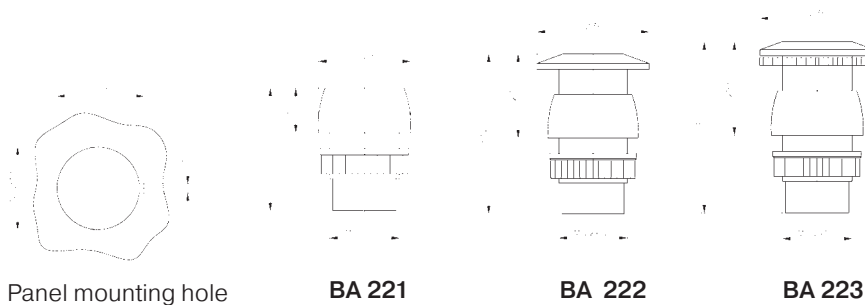
| Type | Port size | Air flow | Operating press. | Actuating force | Weight |
|------------|-----------|-----------|------------------|-----------------|----------|
| BA 511 201 | M5 | 125 l/min | -0,9 - 10 bar | 14 N | 0,053 kg |
| BA 511 202 | M5 | 125 l/min | 0 - 10 bar | 14 N | 0,095 kg |
| BA 511 301 | G 1/8" | 280 l/min | -0,9 - 10 bar | 14 N | 0,075 kg |

Ø 22 mm Actuators for Panel Mounting

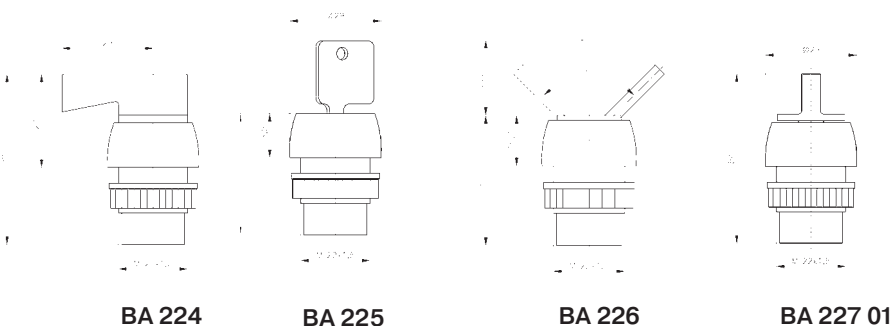


Actuating elements for valves displayed on page 2.2.1 and 2.2.2.

Declaration of manufacturer that actuation elements have no intrinsic ignition source can be supplied on request.

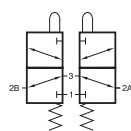
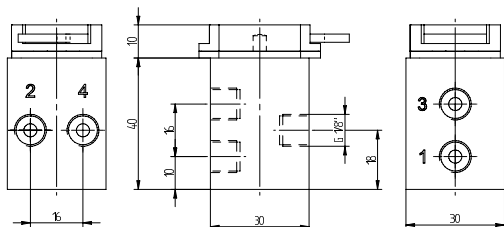


BA 221 SSK

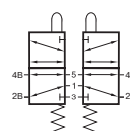


| Type | Actuation | Colour | Actuating force | Weight |
|------------|---|--------|-----------------|----------|
| BA 221 01 | Push button | black | 16 N | 0,014 kg |
| BA 221 02 | Push button | red | 16 N | 0,014 kg |
| BA 221 03 | Push button | green | 16 N | 0,014 kg |
| BA 221 04 | Push button | yellow | 16 N | 0,014 kg |
| BA 221 05 | Push button | blue | 16 N | 0,014 kg |
| BA 221 06 | Push button | white | 16 N | 0,014 kg |
| BA 222 01 | Palm button | black | 16 N | 0,020 kg |
| BA 223 02* | Palm button w. detend | red | 27 N | 0,026 kg |
| BA 224 01 | Rotary lever long | black | 42 N/cm | 0,021 kg |
| BA 225 00 | Locking switch | | 25 N | 0,080 kg |
| BA 226 01 | Switch | black | 16 N/cm | 0,019 kg |
| BA 227 01 | Rotary lever short | black | 16 N/cm | 0,018 kg |
| BA 221 SSK | Transparent dust protection cap for BA 221 __ | | | 0,009 kg |

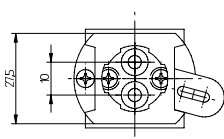
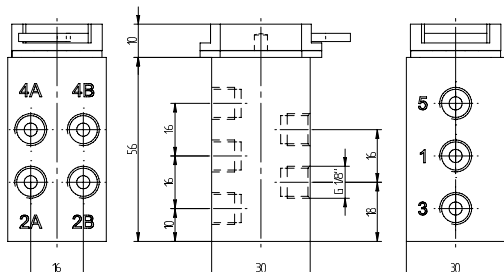
* available on request: for 30 mm panel mouting hole.



BA 430 301



BA 730 301



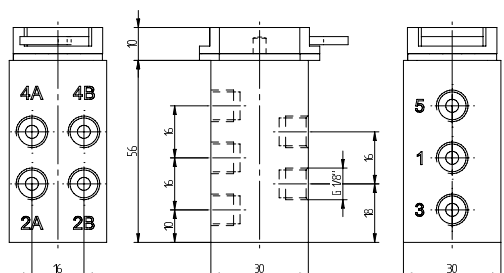
BA 430 301

BA 430 301

4/3-way spool valve for panel mounting. Middle position exhausted. Typical application: for controlling two single-acting actuators.

BA 730 301

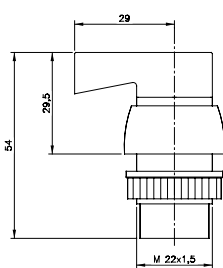
7/3-way spool valve for panel mounting. Typical application: for controlling two double-acting actuators.



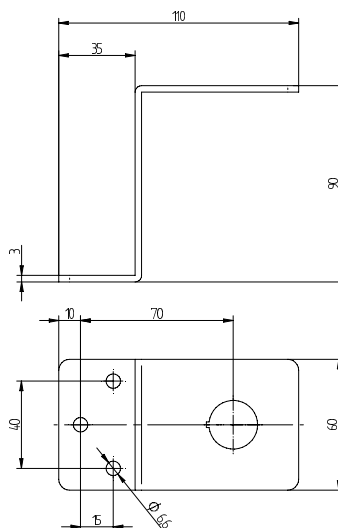
BA 730 301

BA 334 01

3-position rotary lever long with detent. Please note: Although the valves have a mechanic spring inside, the actuator is with detent.



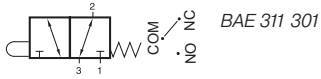
BA 334 01



BW BA 22

| Type | Function | Port size | Air flow | Operating press. | Actuating force | Weight |
|------------|-------------------|-----------|-----------|------------------|-----------------|----------|
| BA 430 301 | double 3/2-way | G 1/8" | 280 l/min | 0 - 10 bar | 14 N | 0,110 kg |
| BA 730 301 | double 5/2-way | G 1/8" | 280 l/min | 0 - 10 bar | 14 N | 0,150 kg |
| BA 334 01 | Rotary lever long | - | - | - | 42 N/cm | 0,021 kg |
| BW BA 22 | Mounting bracket | - | - | - | - | 0,265 kg |

BAE 311 301



The BAE 311 301 is a 3/2-way spool valve ported G1/8" that can either be used normally closed (pressure at port 1) or normally open (pressure at port 3).

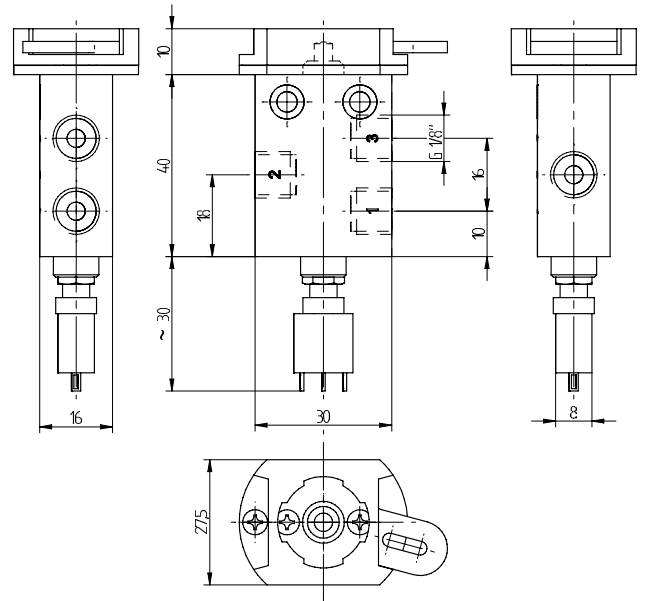
The valve includes an electric switch that is actuated at the same time.

The electrical switch can be used up to 6 A / 125 VAC. Switch can be connected in two ways either normally open or normally closed.

The electrical switch can also be combined with BA 311 201, BA 511 201 and BA 511 301 on demand.

All the actuation-elements displayed on page 2.2.3 can be combined with the valve.

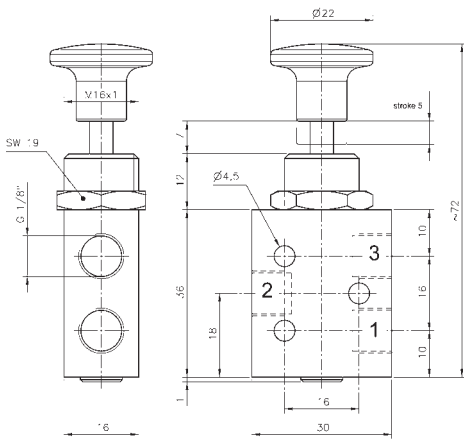
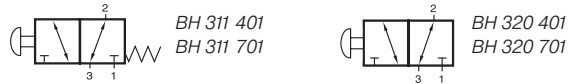
Please order including actuation element.



BAE 311 301

| Type | Port size | Air flow | Operating press. | Actuating force | Weight |
|-------------|-----------|-----------|------------------|-----------------|---------|
| BAE 311 301 | G 1/8" | 280 l/min | 0 - 10 bar | 17 N | 0,08 kg |

BH 311 401/BH 320 401 BH 311 701/BH 320 701



BH 311 401/BH 320 401



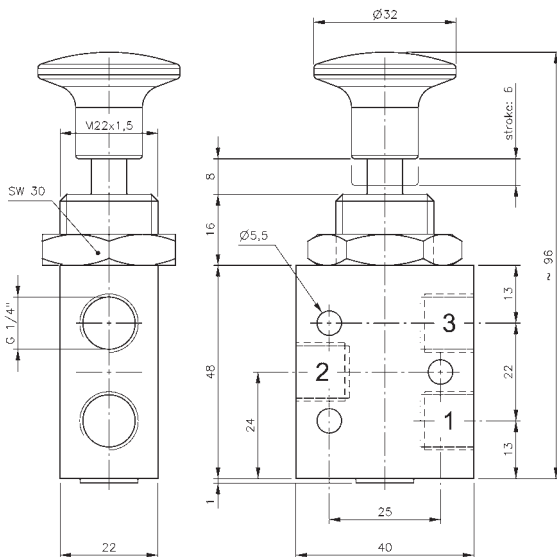
Manually actuated 3/2-way spool valve either with spring return to outer position (type 311) or with two stable positions (type 320).

If pressure is applied to port 1 the function is normally closed.
If pressure is applied to port 3 the function is normally open.

Exhaust can be throttled.

Suitable for wall or panel mounting. Nut for panel mounting, M16 x 1 for G 1/8"-valves or M22 x 1,5 for G 1/4"-valves is included.

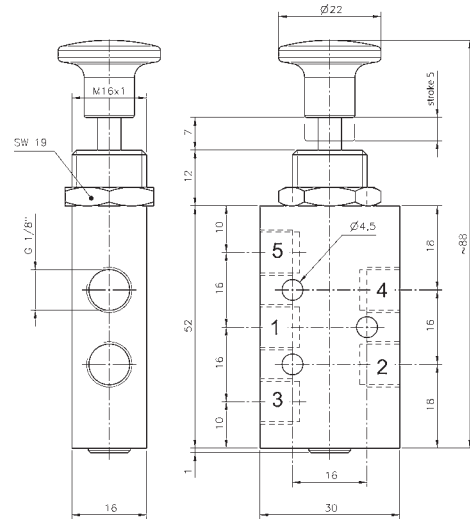
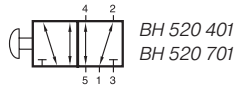
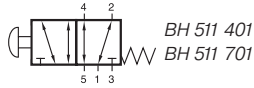
Selected valves can be used for technical vacuum too.



BH 311 701/BH 320 701

| Type | Port size | Air flow | Operating press. | Actuating force | Weight |
|------------|-----------|------------|------------------|-----------------|-------------|
| BH 311 401 | G 1/8" | 450 l/min | 1 - 10 bar | 11 N | 0,064 kg |
| BH 320 401 | G 1/8" | 450 l/min | 1 - 10 bar | 12 N | 0,064 kg |
| BH 311 701 | G 1/4" | 1250 l/min | -0,9 - 10 bar | 17 N | 0,140 kg ❄️ |
| BH 320 701 | G 1/4" | 1250 l/min | -0,9 - 10 bar | 18 N | 0,140 kg ❄️ |

BH 511 401/BH 520 401 BH 511 701/BH 520 701



BH 511 401/BH 520 401

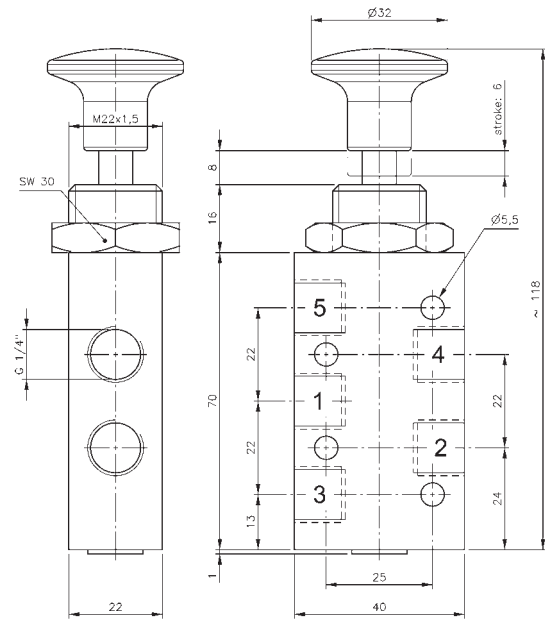
Manually actuated 5/2-way spool valve either with spring return to outer position (type 511) or with two stable positions (type 520).

Normally open from port 1 to 2 and from port 4 to 5. Operated open from port 1 to 4 and port 2 to 3.

Exhaust can be throttled.

Suitable for wall or panel mounting. Nut for panel mounting, M16 x 1 for G 1/8"-valves or M22 x 1,5 for G 1/4"-valves is included.

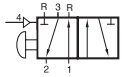
Selected valves can be used for technical vacuum too.



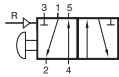
BH 511 701/BH 520 701

| Type | Port size | Air flow | Operating press. | Actuating force | Weight |
|------------|-----------|------------|------------------|-----------------|-------------|
| BH 511 401 | G 1/8" | 450 l/min | 1 - 10 bar | 11 N | 0,080 kg |
| BH 520 401 | G 1/8" | 450 l/min | 1 - 10 bar | 12 N | 0,080 kg |
| BH 511 701 | G 1/4" | 1250 l/min | -0,9 - 10 bar | 17 N | 0,180 kg ❄️ |
| BH 520 701 | G 1/4" | 1250 l/min | -0,9 - 10 bar | 18 N | 0,180 kg ❄️ |

BHP 520 442/BHP 520 462



BHP 520 442



BHP 520 462



Manually actuated 5/2-way spool valve with 2 stable positions and pneumatic reset.

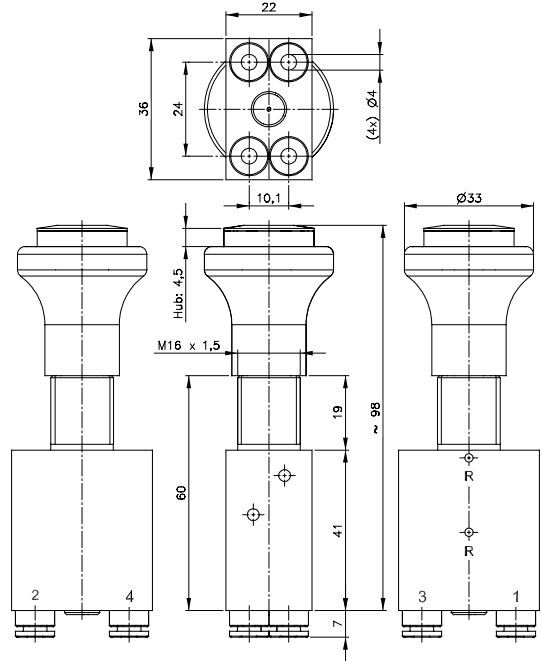
Ports on the bottom of the valve are equipped with integrated push-in fittings. Exhaust is undeducted.

If pressure is applied to port 4 (pneumatic reset-port) the stem is pulled in. The knob carries an indicator ring that sticks out when the valve is pulled = actuated.

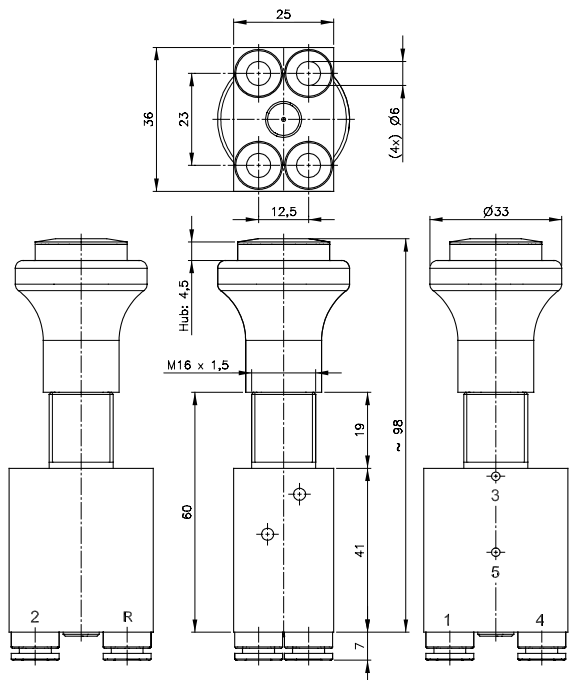
The following knob-colours are available:

| Colour code | Colour of knob | Colour of indicator |
|-------------|----------------|---------------------|
| 1 | black | white |
| 2 | red | white |
| 3 | green | red |
| 4 | yellow | white |
| 5 | blue | white |

If requested we add fixing nut DIN 439 BM 16 x 1 material: steel zinc plated.



BHP 520 442



BHP 520 462

| Type | Function | Ports | Air flow | Operating press. | Weight |
|---------------|----------|----------|-----------|------------------|---------|
| BHP 520 442 _ | 5/2-way | pif 4 mm | 300 l/min | 1 - 16 bar | 0,13 kg |
| BHP 520 462 _ | 5/2-way | pif 6 mm | 300 l/min | 1 - 16 bar | 0,13 kg |